



**B16-USB**  
**product manual**  
**V1.0**

button plate for racing simulators

# table of contents

1. general information	3
2. Quick Release mounting	4
3. adjust shifter position	5
4. operation	6
5. label application	7
6. paddle shifter force setting	8
7. B16M dimensions	9
8. B16L dimensions	10

# 1. general information

- USB connection via coiled cable
- mass: 700 g
- standard 6 x 70mm bolt pattern (through hole) to mount quick release
- 16 inputs in total
- for compatible steering wheel rims refer to the list on the product page
- USB extension cable mounted securely to the sim rig is recommended
  
- package contents:
  - B16-USB button plate
  - coiled USB cable (Binder connector to USB Type-A)
  - alternative magnets to adjust paddle shifter force (**see foam insert**)
  - bolts and washers to mount wheel rim & Quick Release (such as SQR, Q1R)
  - tool to remove Binder connector nut
  - button & encoder label sheets

## 2. Quick Release mounting

- assemble steering wheel rim, button plate, QR with supplied bolts
- compatible with standard 70mm QRs (maximum outer diameter of 88mm) such as:
  - Q1R
  - SQR
  - NRG

# 3. adjust shifter position

- to achieve the most comfortable ergonomics, paddle location is adjustable
- paddle shifters can be moved inwards by 9.5 mm each:
  1. open button plate by removing Binder connector nut on the rear side (required tool included)
  2. remove 4 x screws (hex wrench) on the frontplate
  3. unmount paddle shifters (hex wrench)
  4. mount shifters to alternative mounting position
  5. inward screws (now located inside the casing) must be replaced with supplied shorter ones
- paddle can be moved closer to the wheel rim:
  - mount paddle to the lower side of the shifter lever arm
  - for additional adjustment, 5mm paddle spacers are available separately

# 4. operation

- no driver installation required
- wheel shows up in Windows as a standard HID-Gamecontroller (human interface device)

# 5. label application

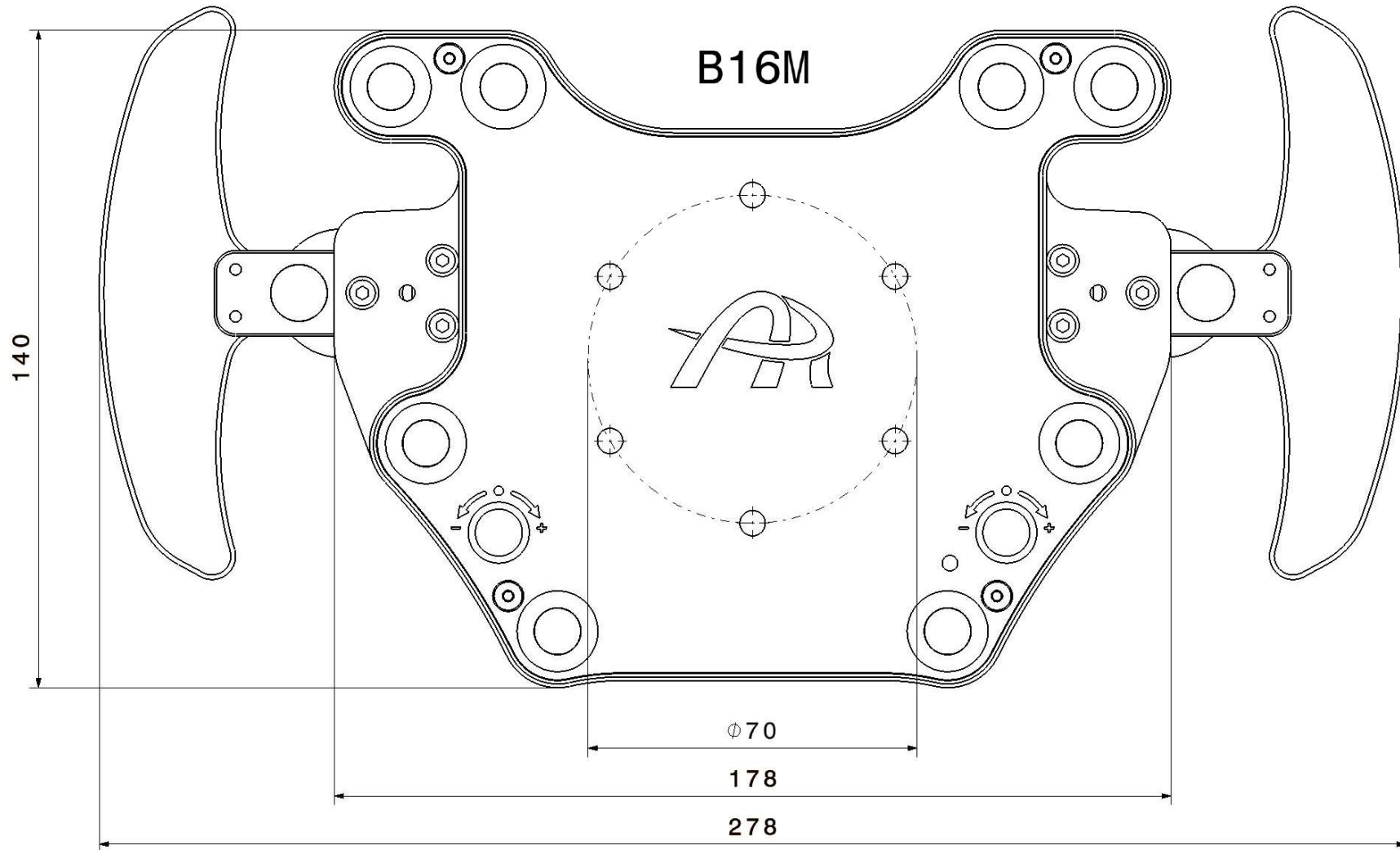
- encoder knobs must be removed to apply label (hex wrench)
- to apply button labels the easiest way use a tool such as a knife
- put the label on the very tip of the knife
- position label centered and horizontal
- press the label on the surface

# 6. paddle shifter force setting

- paddle shifter snap action force is set by the combination of magnets and spacers
- do not let magnets smash into each other – magnets are very brittle and can break
- to pull out installed magnets, put additional magnets carefully on top
- press the paddle shifter to separate installed magnets
- pull out top and bottom magnet
- magnets can be separated the best by shearing them off
  
- 4 pcs 3mm **magnets & spacers** can be found in the **packaging foam insert**
- approx. actuation force depending on magnet height and spacers:
  1. 800g = 5mm + 5mm (factory default)
  2. 570g = 5mm + 5mm + 1 spacer
  3. 480g = 3mm + 3mm
  4. 440g = 5mm + 5mm + 2 spacers
  5. 340g = 3mm + 3mm + 1 spacer
  6. 260g = 3mm + 3mm + 2 spacers



# 7. B16M dimensions



# 8. B16L dimensions

