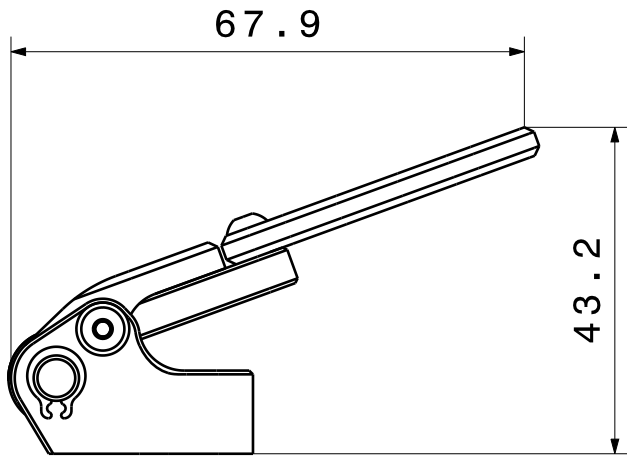
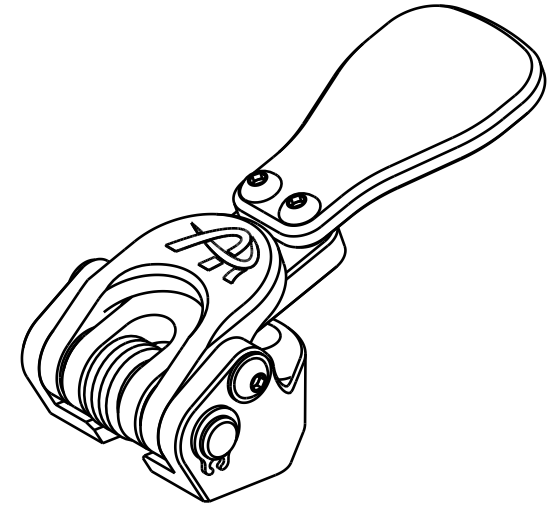
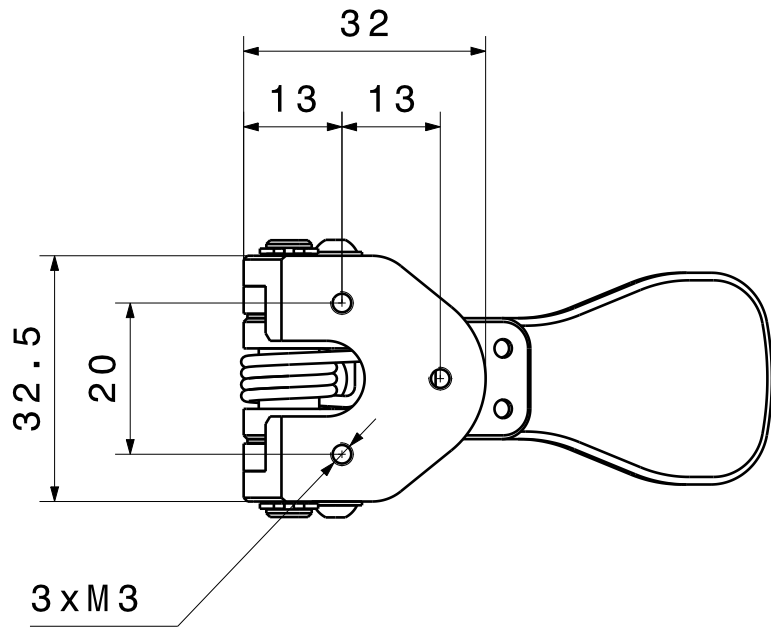
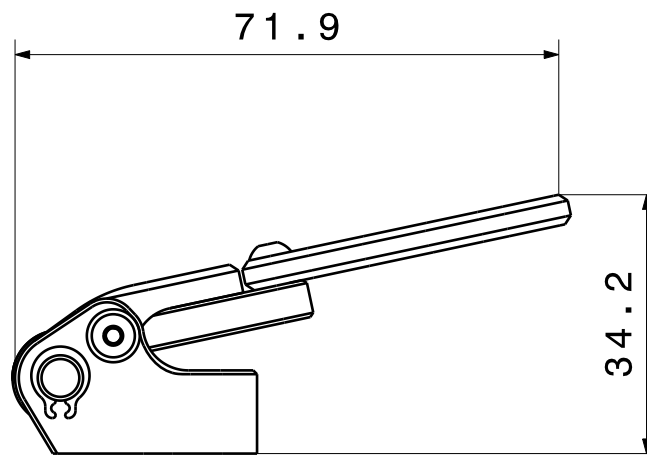


# Template Clutch Gen3

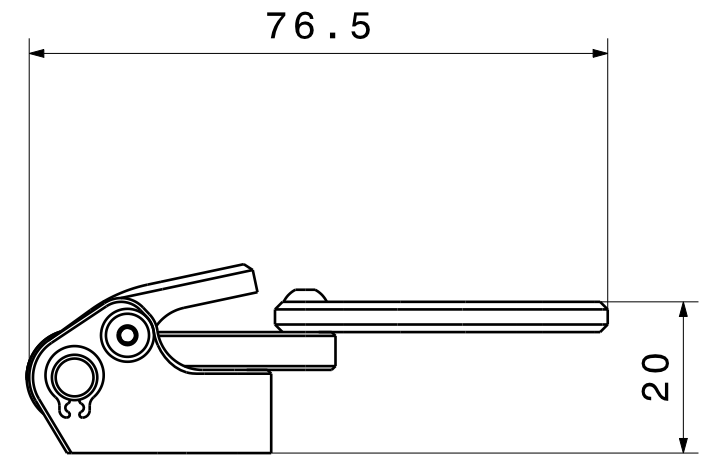
[www.ascher-racing.com](http://www.ascher-racing.com)



maximum start position



minimum start position



end position